



CROWDSTOPPER

TRANSPORT CART SPECIFICATIONS

Description: Transport cart for CrowdStopper steel barricades designed for storage and installation. The transport cart also speeds up installation and breakdown times.

Size: **Width:** 38" (at wheel base) / 70.2" (maximum width of carrier bar)
Length: 59"
Height: 42.197"

Wheels: Four 6" casters

Cart Weight: 119 lbs

Max. Load Capacity: 28-30 CrowdStopper barricades.

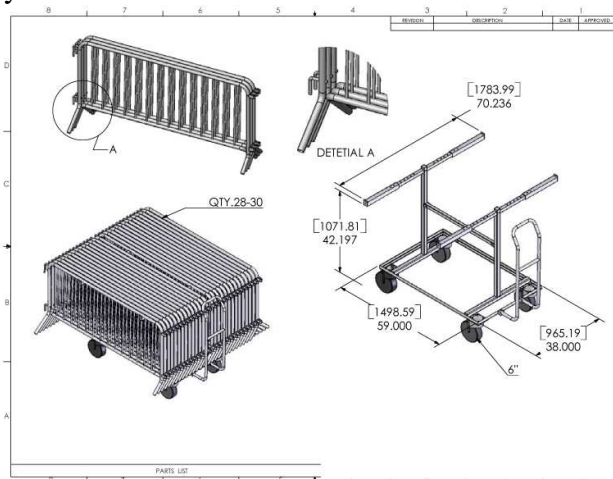
Material: Powder-coated Steel. Color is Black.

Features:

- a) Specifically designed for CrowdStopper steel barricades
- b) Speeds up installation and breakdown times.
- c) Maximizes facility's storage space.
- d) Can be used for both storage and installation.

Assembly: Assembly is required.

Warranty: 3 years.



Signature Systems Group, LLC
50 East 42nd Street • 14th Floor
New York, NY 10017

Toll Free: 800-569-2751 • 212-953-1116 • Fax: 212-953-1117
Flooring: www.eventdeck.com • Fencing: www.signaturefencing.com